

ICV 2,5/12-G-5,08

Order No.: 1786048

The figure shows a 10-position version of the product

<http://eshop.phoenixcontact.de/phoenix/treeViewClick.do?UID=1786048>Header, nominal current: 12 A, rated voltage: 320 V, pitch: 5.08 mm,
number of positions: 12, mounting type: soldering

Commercial data

EAN	4017918042196
Pack	50 Pcs.
Customs tariff	85366990
Weight/Piece	0.01127 KG
Catalog page information	Page 233 (CC-2007)

Product notes

WEEE/RoHS-compliant since:
01/01/2003

<http://www.download.phoenixcontact.com>
Please note that the data given here has been taken from the online catalog. For comprehensive information and data, please refer to the user documentation. The General Terms and Conditions of Use apply to Internet downloads.

Technical data

Dimensions / positions

Pitch	5.08 mm
Dimension a	55.88 mm
Number of positions	12
Pin dimensions	1,3 x 0,7 mm
Hole diameter	1.4 mm

Technical data

Insulating material group	I
Rated surge voltage (III/3)	4 kV
Rated surge voltage (III/2)	4 kV
Rated surge voltage (II/2)	4 kV
Rated voltage (III/2)	320 V
Rated voltage (II/2)	630 V
Connection in acc. with standard	EN-VDE
Nominal current I_N	12 A
Nominal voltage U_N	320 V
Maximum load current	12 A
Insulating material	PA
Inflammability class acc. to UL 94	V0

Certificates / Approvals

Approval logo



CSA

Nominal voltage U_N	300 V
Nominal current I_N	10 A

CUL

Nominal voltage U_N	300 V
Nominal current I_N	10 A

UL

Nominal voltage U_N	300 V
Nominal current I_N	10 A
Certification	CB, CSA, CUL, GOST, UL, VDE-PZI

Accessories

Item	Designation	Description
Assembly		
1808353	FLRP/ICV 80	Pair of guide rails, is inserted into the groove ICV/...G, height: 86 mm, hole diameter: 3.4 mm

Plug/Adapter		
1734634	CP-MSTB	Coding profile, is inserted into the slot on the plug or inverted header, red insulating material
0201744	MPS-MT	Test plug, consisting of: Metal part for 2.3 mm diameter socket hole
0201647	RPS	Reducing plug, for transition from 4 mm diameter test plug socket, insulation: gray

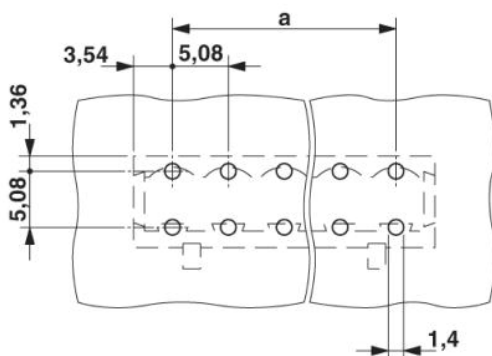
Additional products

Item	Designation	Description
General		
1872567	A-MSTBVA 2,5/12-G-5,08	Header, nominal current: 12 A, rated voltage: 250 V, pitch: 5.08 mm, no. of positions: 12, mounting: Mounting rail
0707332	DFK-MSTB 2,5/12-G-5,08	Header, nominal current: 12 A, rated voltage: 320 V, pitch: 5.08 mm, no. of positions: 12, mounting: Direct mounting
1898936	DFK-MSTBA 2,5/12-G-5,08	Header, nominal current: 12 A, rated voltage: 250 V, pitch: 5.08 mm, no. of positions: 12, mounting: Soldering
1899236	DFK-MSTBVA 2,5/12-G-5,08	Header, nominal current: 12 A, rated voltage: 250 V, pitch: 5.08 mm, no. of positions: 12, mounting: Soldering
1880407	EMSTBA 2,5/12-G-5,08	Header, nominal current: 12 A, rated voltage: 250 V, pitch: 5.08 mm, no. of positions: 12, mounting: Press in
1859616	EMSTBVA 2,5/12-G-5,08	Header, nominal current: 12 A, rated voltage: 200 V, pitch: 5.08 mm, no. of positions: 12, mounting: press in
1873456	FKIC 2,5/12-ST-5,08	Plug, nominal current: 12 A, rated voltage: 320 V, pitch: 5.08 mm, number of positions: 12, connection method: Spring-cage connection
1786271	IC 2,5/12-ST-5,08	Plug component, nominal current: 12 A, rated voltage: 250 V, pitch: 5.08 mm, no. of positions: 12, type of connection: Screw connection
1823943	ICC 2,5/12-STZ-5,08	Plug component, nominal current: 12 A, rated voltage: 250 V, pitch: 5.08 mm, no. of positions: 12, type of connection: Crimp connection
1762703	MDSTB 2,5/12-G1-5,08	Header, nominal current: 10 A, rated voltage: 250 V, pitch: 5.08 mm, no. of positions: 12, mounting: Soldering

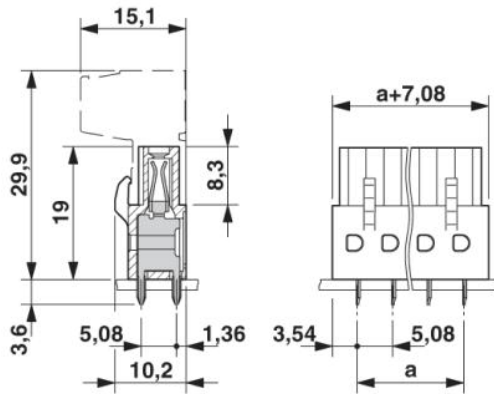
1842160	MDSTBA 2,5/12-G-5,08	Header, nominal current: 10 A, rated voltage: 250 V, pitch: 5.08 mm, no. of positions: 12, mounting: Soldering
1762606	MDSTBV 2,5/12-G1-5,08	Header, nominal current: 10 A, rated voltage: 250 V, pitch: 5.08 mm, no. of positions: 12, mounting: Soldering
1845439	MDSTBVA 2,5/12-G-5,08	Header, nominal current: 10 A, rated voltage: 250 V, pitch: 5.08 mm, no. of positions: 12, mounting: Soldering
1759114	MSTB 2,5/12-G-5,08	Header, nominal current: 12 A, rated voltage: 250 V, pitch: 5.08 mm, no. of positions: 12, mounting: Soldering
1770818	MSTB 2,5/12-G-5,08-LA	Header, nominal current: 12 A, rated voltage: 250 V, pitch: 5.08 mm, no. of positions: 12, mounting: Soldering
1757349	MSTBA 2,5/12-G-5,08	Header, nominal current: 12 A, rated voltage: 250 V, pitch: 5.08 mm, no. of positions: 12, mounting: Soldering
1768040	MSTBA 2,5/12-G-5,08-LA	Header, nominal current: 12 A, rated voltage: 250 V, pitch: 5.08 mm, no. of positions: 12, mounting: Soldering
1758115	MSTBV 2,5/12-G-5,08	Header, nominal current: 12 A, rated voltage: 250 V, pitch: 5.08 mm, no. of positions: 12, mounting: Soldering
1808560	MSTBV 2,5/12-GEH-5,08	Header, nominal current: 12 A, rated voltage: 250 V, pitch: 5.08 mm, no. of positions: 12, mounting: Soldering
1755833	MSTBVA 2,5/12-G-5,08	Header, nominal current: 12 A, rated voltage: 250 V, pitch: 5.08 mm, no. of positions: 12, mounting: Soldering
1735785	MSTBW 2,5/12-G-5,08	Header, nominal current: 12 A, rated voltage: 250 V, pitch: 5.08 mm, no. of positions: 12, mounting: Soldering
1769560	SMSTB 2,5/12-G-5,08	Header, nominal current: 12 A, rated voltage: 250 V, pitch: 5.08 mm, no. of positions: 12, mounting: Soldering
1767478	SMSTBA 2,5/12-G-5,08	Header, nominal current: 12 A, rated voltage: 250 V, pitch: 5.08 mm, no. of positions: 12, mounting: Soldering

Drawings

Drilling diagram



Dimensioned drawing



Address

PHOENIX CONTACT GmbH & Co. KG
Flachsmarktstr. 8
32825 Blomberg, Germany
Phone +49 5235 3 00
Fax +49 5235 3 41200
<http://www.phoenixcontact.de>



© 2008 Phoenix Contact
Technical modifications reserved;